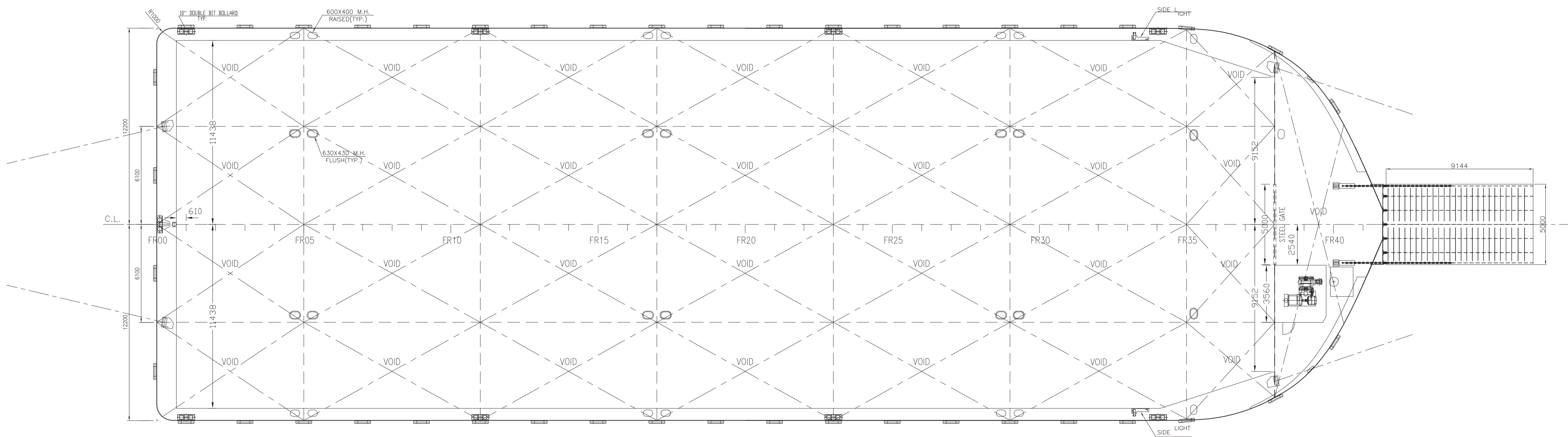
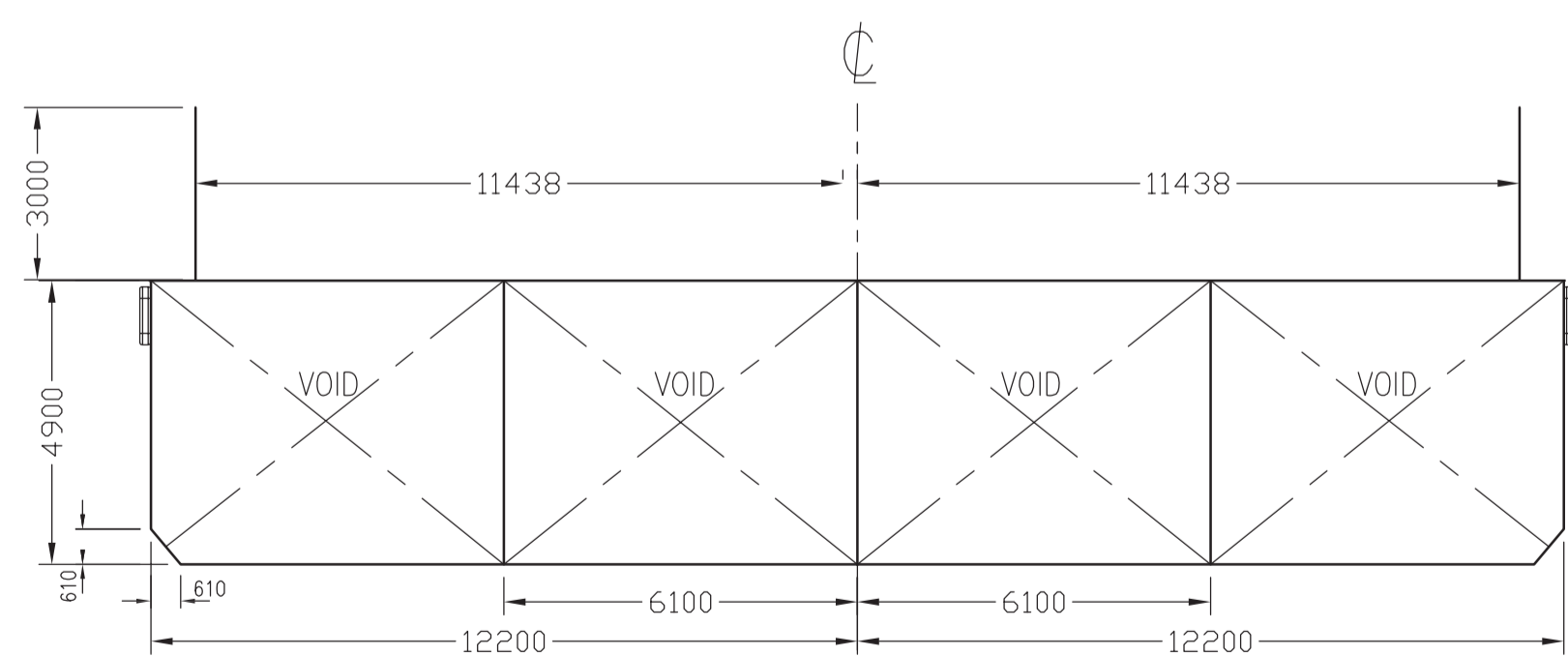


SIDE VIEW



MAIN DECK PLAN



PRINCIPAL DIMENSIONS

LENGTH (O.A.)	76.25M (250')
BREADTH (M.L.D.)	24.40M (80')
DEPTH (M.L.D.)	4.90M (16')
DRAFT (M.L.D.)	3.899M
DEAD WEIGHT	5500T
DECK LOAD	7T/M <sup>2</sup>
FRAME SPACE	1830MM (6')
LOADING LENGTH	68.32M
BREADTH	22.876M
HEIGHT	3.00M
CLASS NOTATION: + A1 BARGE	

OWNER:		250x80x16 FT	BASIC DESIGN		
CLASS:	ABS	DECK CARGO BARGE	HULL NO.:	JSP2013-20/21/22 JSP2013-23/24/25	
DESIGNED		GENERAL ARRANGEMENT	DWG NO.:	G-100-01	
CHECKED			Page	Rev.	Scale
APPROVED			1/1	2	1:125
CHK OF STD.					
VERIFIED					
VERIFIED		Builder:			
DATE	30 Mar. 2013				